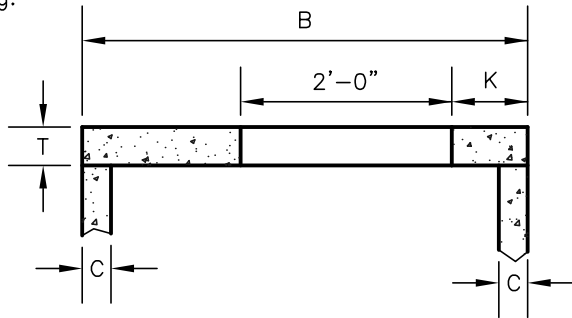
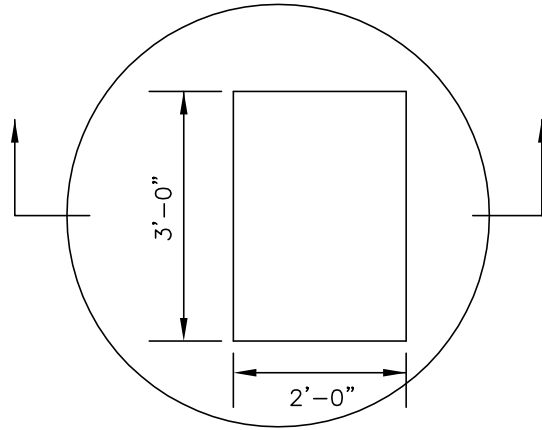


NOTE:
 HS20 Roadway loading catch basin cover slab of precast reinforced concrete with rectangular opening.



SECTION A-A



PLAN OF COVER SLAB

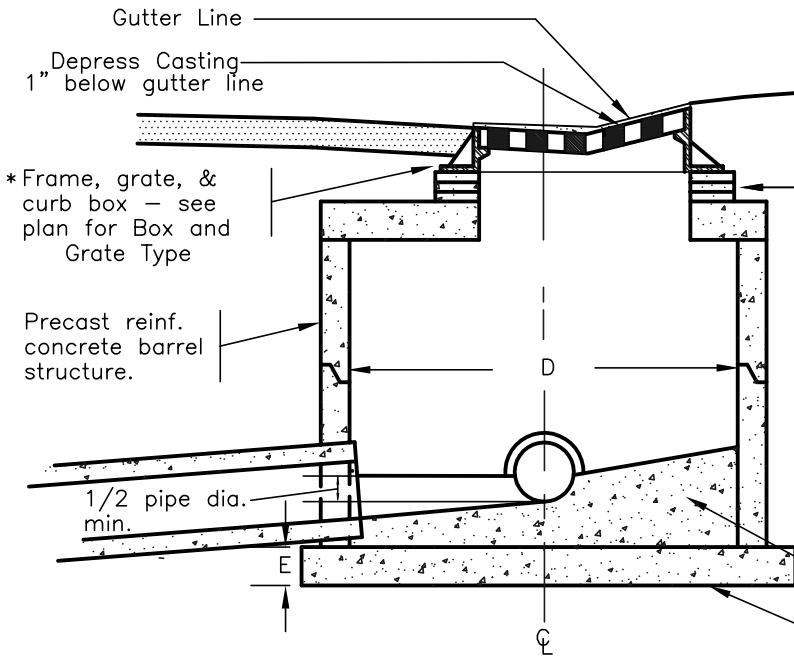
See plans for Box & Grate Type

Location of structure as shown in plans

Note:

Steps needed for structure height greater than 4'.

Cover slab to rest on bed of mortar on full thickness of structure walls— not to rest on pipe tongue or groove.



Adjusting rings
 2 - min., 5 - max. - full 3/8" bed of mortar between rings & plaster exterior only with 2" min. thick coat - strike off interior - no shims permitted. Stager on the adjustment rings not to exceed 3/4" total.

STRUCTURE REQUIREMENTS						
STORM PIPE LEAD DIA.	D	B	C	E	T	K
12" - 18"	48"	58"	5"	6"	6"	11"
21" - 30"	60"	72"	6"	8"	8"	18"
33" - 48"	72"	86"	7"	8"	8"	25"

Invert fillet cast in place (MnDot mix 3a34)

Precast reinforced conc. base.

SECTIONAL VIEW

MnDOT Spec. ref. 2506, Plate ref. 4020

RECTANGULAR INLET FOR ROUND MANHOLE HL-465B1

NOT TO SCALE